

LDM422



Fully Isolated Limited Distance Modem, RS-232/422 Converter

Description

The LDM422 is a compact RS-232 to RS-422 converter which features a complete electrical isolation barrier and heavy duty electrical surge protectors. These devices feature a rugged aluminum enclosure small enough to mount on the back panel of typical computer equipment, saving valuable desk and floor space. Isolation is provided by optical couplers and a DC-to-DC converter. The RS-232 connection is through male or female EIA 25-pin connectors. The RS422 connections are made through convenient solderless screw terminals.

The LDM422 series is designed for full duplex operation over two-wire pairs. Outputs are tri-state, allowing multidropping of up to 32 units. Hardware handshake is available over two separate wire pairs. Data rates are 75 to 19,200 baud. Six diagnostic LED indicators are provided (see Figure 1) for installation guidance and system troubleshooting. The RS-232 interface supports Request To Send, Clear To Send, Data Set Ready, Received Line Signal Detect, and Data Terminal Ready. A convenient null modem switch is provided for the data lines. The RS-422 interface supports Request To Send and Clear To Send on separate wire pairs. The LDM422 may be used to convert two sets of send and receive channels by using RTS and CTS circuits as the second data channels. Data rates are the same. The units use 12VAC from a wall-mounted transformer or ±12VDC to pins 9 (+) and 10 (-) of the RS-232 connector.

► Features

- Complete Isolation with Optical Couplers and Power DC-to-DC Converter
- Industrial Surge Protection Devices
- Six LED Diagnostic Indicators
- DC to 19,200 Baud at 6000 Feet (1800m), 9600 Baud at 3 Miles (5km)
- Request-To-Send, Clear-To-Send Handshake
- Tri-state Outputs for Multidrop Applications
- Selection of Connectors
- Wide Operating Temperature Range
- Solderless Screw Terminal Field Connections
- CE Compliant

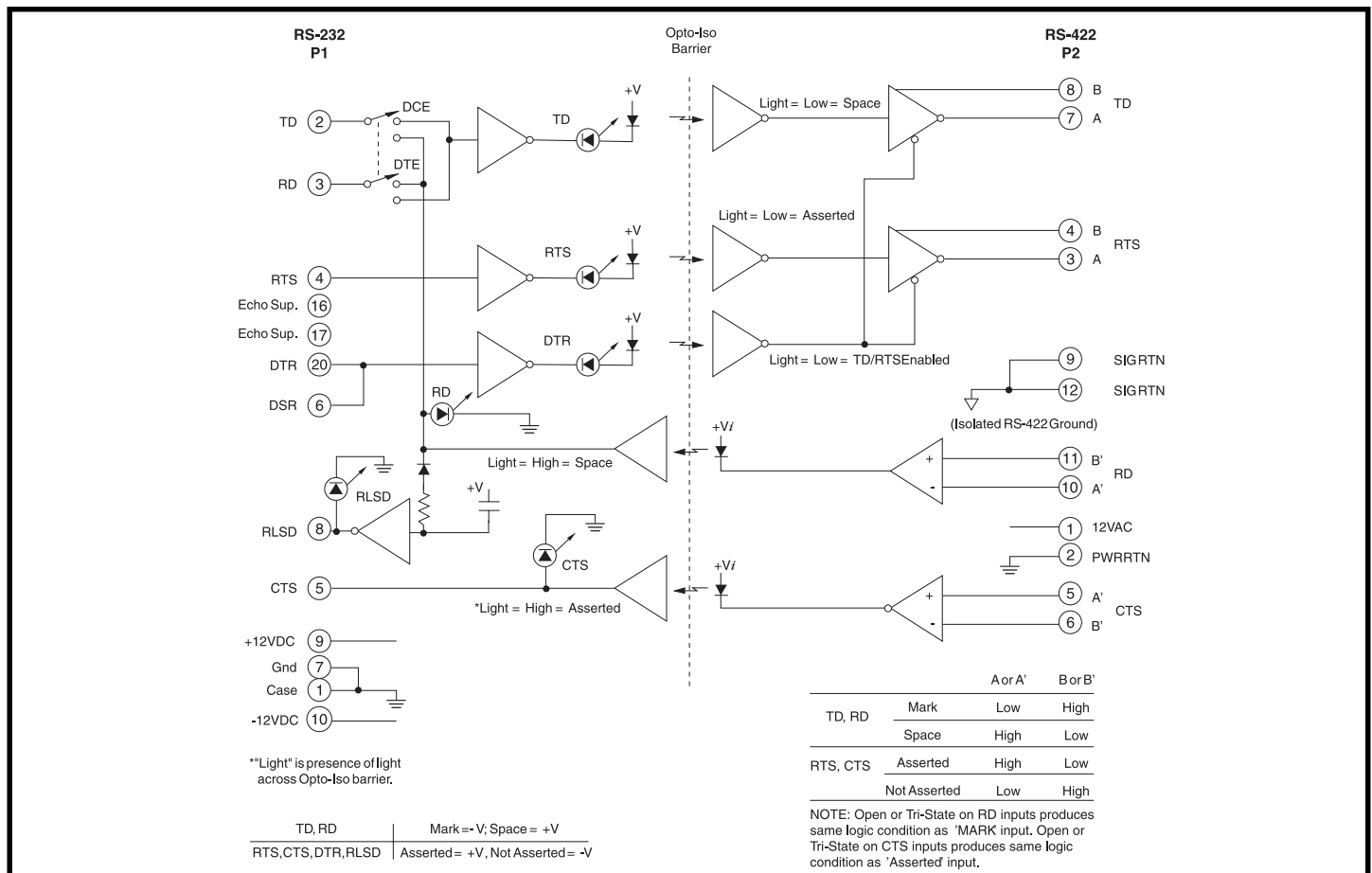


Figure 1: LDM422 Block Diagram

Specifications

Model	LDM422
Baud Rate Range	0-19.2K
Baud Rate	19.2K 9.6K 4.8K 2.4K 1.2K-0
Distance(miles)	1.14 3.0 4.0 5.0 7.0
Distance(km)	1.8 4.8 6.4 8.1 11.3
Maximum Multidrop Units	32. Reduced distances may be required when as many as 32 units are multidropped. No restrictions apply for distances of 1 mile (1.7 km) or less.
Common Mode Isolation	Surge: 750V Continuous: 500V
Differential Mode Surge Protection (9 devices)	(AC input) ANSI/IEEE C37.90.1 (all RS-422 inputs and outputs)
Modes	Asynchronous 4-wire duplex, 2-wire half-duplex, 2-wire simplex
Channel Lines ⁽¹⁾ Control Lines ⁽¹⁾	TD, RD, RTS, CTS RTS, CTS, DTR, DSR, RLSD
Null Modem Switch	1 (Reverses RS-232 pins 2 and 3)
RS-422 Output Drive RS-422 Input Impedance	20mA min/output 6kΩ min/input
Power AC operation ⁽²⁾ DC operation	12VAC, ±10%, 10W screw terms 1 & 2 +11.5VDC to +17.0VDC at 400mA on pin 9 -11.5VDC to -17.0VDC at 400mA on pin 10
Environmental: Operating Temperature Range Storage Temperature Range Relative Humidity	0°C to +70°C -40°C to +85°C 0-95% non-condensing
Dimensions	6.6" x 2.1" x 1.28" (167.6mm x 53.3mm x 32.5mm)
Weight PT3 and PT3E	7 oz (198g) max 11.0 oz (312g) max
MTTF ⁽³⁾	>100,000 hrs

Ordering Information

Model	Description
LDM422-P	Male RS-232 connector
LDM422-S	Female RS-232 connector
LDM422-PT	Male RS-232 connector and U.S. power transformer
LDM422-ST	Female RS-232 connector and U.S. power transformer
LDM422-PE	Male RS-232 connector, Euro power transformer
LDM422-SE	Female RS-232 connector, Euro power transformer
PT3	Wall mount U.S. power transformer, 120VAC
PT3E	Wall mount Euro power transformer, 220VAC

RS-232 Pin Descriptions

Pin	Case	Description
Pin 1	Case	Case Ground
Pin 2	TD [3]	Transmit Data
Pin 3	RD [2]	Receive Data
Pin 4	RTS [7]	Request To Send
Pin 5	CTS [8]	Clear To Send
Pin 6	DSR [6]	Data Set Ready (connected to Data Terminal Ready)
Pin 7	GND [5]	Signal Ground
Pin 8	RLSD [1]	Receive Line Signal Detect
Pin 9	+12VDC	Positive DC Supply Input
Pin 10	-12VDC	Negative DC Supply Input
Pin 16	Echo Sup	Echo Suppression (tie to pin 17 to enable)
Pin 17	Echo Sup	Echo Suppression (tie to pin 16 to enable)
Pin 20	DTR [4]	Data Terminal Ready (connected to Data Set Ready)

RS-422 P2 Pin Desc.

Pin	Description
Pin 1	12VAC
Pin 2	PWR RTN
Pin 3	RTS A
Pin 4	RTS B
Pin 5	CTS A'
Pin 6	CTS B'
Pin 7	TD A
Pin 8	TD B
Pin 9	SIG RTN
Pin 10	RD A'
Pin 11	RD B'
Pin 12	SIG RTN

Pin numbers given are for the 25-pin connector with the 9-pin equivalent in [].

NOTES:

- (1) TD = Transmit Data, RD = Receive Data, RTS = Request To Send, CTS = Clear To Send, DTR = Data Terminal Ready, DSR = Data Set Ready, RLSD = Received Line Signal Detect.
- (2) 120VAC and 220VAC power transformers are available.
- (3) Ground-benign environmental conditions (no salt atmosphere, <50°C ambient temperature).

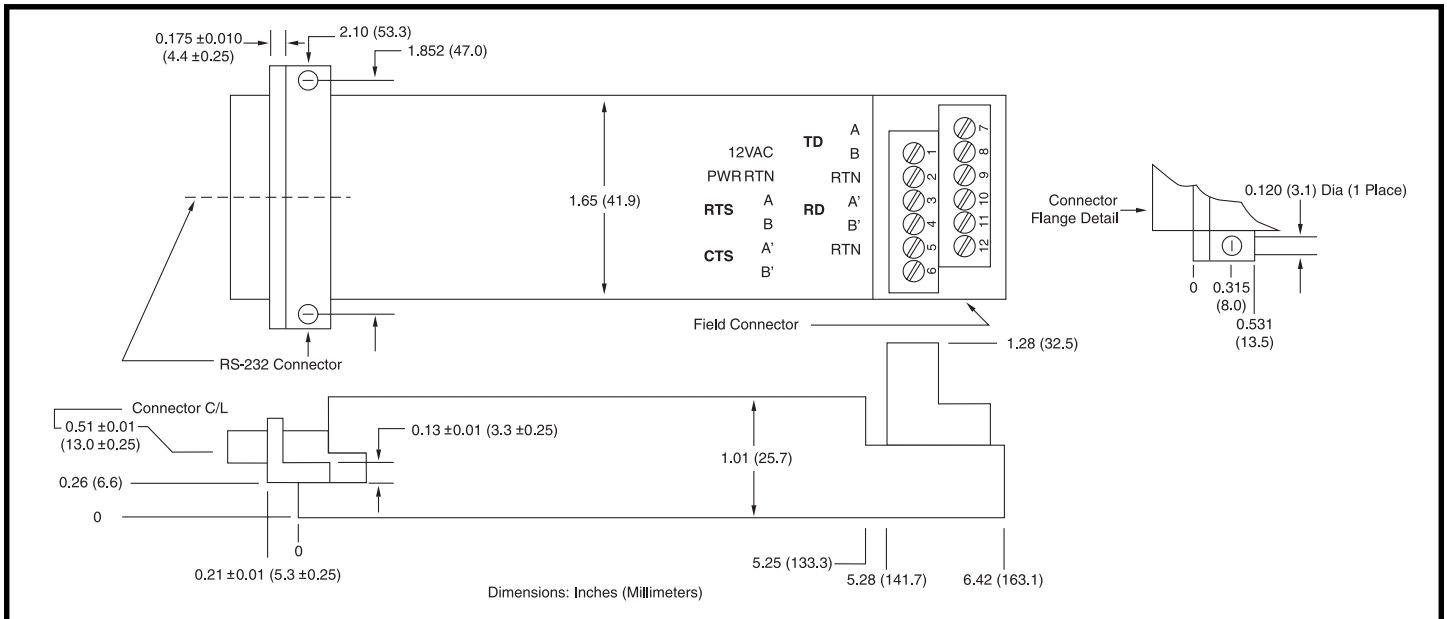


Figure 2: LDM422 Dimensions